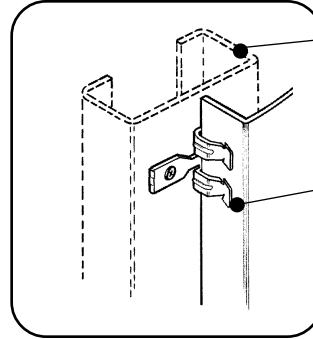


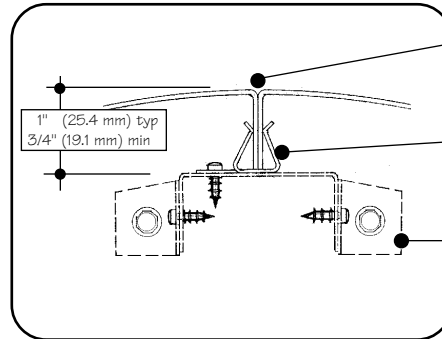
Soft 'V' Joint

Many Optional Finishes Available



Sheet Metal Stud by Others

Special Mechanical Fastener Clips Lock Column Cover Halves to Post



Soft 'V' Joint

Special Mechanical Fastener Clips

Angle Mount at Floor & Ceiling (by others)

Some of the finishes available are:

Aluminum in .090" thickness

- Painted in a high gloss polyurethane finish
- Painted in a Megaflon® fluoropolymer finish
- Clear satin anodized finish
- Light, medium, or dark bronze anodized finish
- Black anodized finish
- Primed finish for field painting

Stainless steel in 16ga to 14ga thickness

- Brushed to a #4 finish
- Polished to a #8 finish
- Textured or colored finishes

Muntz brass in 14ga to 12ga thickness

- Brushed to a #4 finish
- Polished to a #8 finish

Electrogalvanized steel in 16ga to 14ga thickness

Other materials and thicknesses are available as options. Check with the factory for your requirements. Finishes meet or exceed AAMA standards for scratches or blemishes.

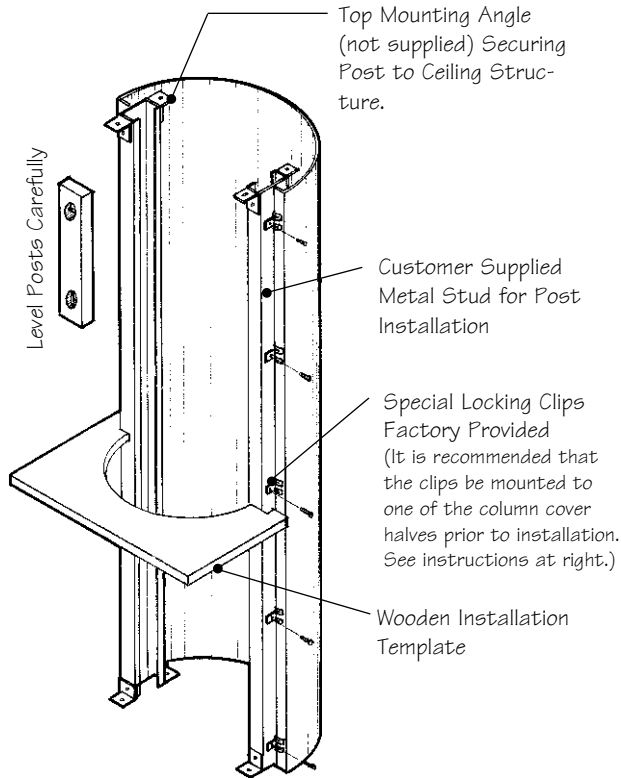
Megaflon® is a registered trademark of Keeler and Long, Inc.

SERIES ECC Column Cover

No Scale

The SERIES ECC SNAP-LOCK column cover fulfills the basic needs of many modestly budgeted projects. It is a viable alternative to the more costly SERIES 1500 column cover, with customer supplied posts, and gives a soft 'V' joint when the column cover is installed. They are available in the same finishes as the rest of our column cover lines and just as easily installed. The SERIES ECC is supplied in two equal halves with continuous installation fins bent along each side. When installed, these fins fit into special metal locking clips, which are factory provided. Sizes available range from a minimum of 12" in diameter (304.8 mm), up to 30" in diameter (762 mm), with a single length height up to 16' (4.877 M). (Note: Use minimum of 16" in diameter (406.4 mm) for column covers greater than 12' in height.) Larger diameters are possible with the addition of vertical joints, so check the factory for your particular requirements. As a standard, the SERIES ECC is manufactured using 16ga .062" (1.6 mm) electrogalvanized steel.

Series ECC Details & Installation



Installation Details

No Scale

The SERIES ECC column cover system consists of the following parts:

- 1) Two custom roll-formed column cover halves.
- 2) Special locking clips for installation.
- 3) One set of drawings / instructions.

The following customer supplied parts are also required for proper installation:

- 1) Two 2-1/2" metal or wood studs.
- 2) Angle brackets or runner channel for securing studs to floor and ceiling.
- 3) Plumb bob & carpenter's level.
- 4) 1/8" or similar size drill bit.
- 5) #8 pan head Phillips sheet metal screws (for securing locking clips to metal studs).

The proper positioning and anchoring of the metal studs is the single most important aspect of installing the SERIES ECC column cover. The studs must be plumb and properly spaced from one another, and the mounting brackets securely fastened to the floor and ceiling in order for the column cover halves to properly install. For specific installation instructions, please refer to the detailed installation instructions below, or in case of further questions, consult the factory.

Typical installation procedure

- 1) Determine the position of the column cover around whatever structural member you wish to enclose, and then install one stud in place, using a plumb bob and level to ensure plumbness. Position the opposite stud in place so that the two studs are 1-1/2" closer together than the diameter of the column cover halves. Make sure that studs are securely fastened to the ceiling and floor utilizing proper fasteners.
- 2) Attach the special locking clips over the installation fins of one column half. Position column half so that the clips align down the center of both studs. Attach the clips to the posts. Position the second column cover half so that one installation fin mounts inside the locking clips and spring the other side around the opposite post, using a glazing tool if necessary to spring the cover open. Do not over stretch column cover.
- 3) Using a heavily padded 2x4 and a rubber mallet, firmly strike both column halves at the joints to seat fins. Begin at the bottom and work your way up. This will ensure proper installation of the column cover.

SAMPLE SPECIFICATION

Section 05600 Architectural Metal Column Covers

Part 1 - General

1.01 Description of work

A. Furnish all material necessary for a complete installation of the SERIES ECC column covers, exclusive of field applied material (i.e. joint compound, substructure, etc.).

1.02 Submittals

A. Submit complete shop drawings detailing quantities, sizes, finish, configurations, and column attachment methods.

B. Submit product literature, specifications, information, and installation instructions.

1.03 Quality Assurance

A. Manufacturer to have a minimum of ten years experience in the manufacturing of column covers.

B. Manufacturer to inspect all aspects of the product to ensure that specifications have been met, and that they comply with approved shop drawings.

C. Manufacturer shall issue a one year limited warranty ensuring product against defects in workmanship and materials.

Part 2 - Products

2.01 Acceptable Manufacturers

Pittcon Industries
6409 Rhode Island Ave.
Riverdale, MD 20737

Pittcon Industries
3330 W. Flower Street
Phoenix, Arizona 85017

2.02 Materials

A. Column covers shall be roll-formed from (*specified material*) with (*specified finish*) to match architects sample.

B. All fasteners are to be concealed.

C. All column covers are to be shipped with protective material on all exposed surfaces.

2.03 Fabrication

A. Column covers shall be roll-formed to specific dimensions and tolerances, and accurately formed to radii shown on drawings.

B. Column covers shall be fabricated in two vertically divided sections with attachment provided through bent-back installation fins.

Part 3 - Execution

3.01 Inspection & Installation

A. Contractor to inspect column covers upon receipt to ensure that no damage has occurred during shipment.

B. Column cover to be correctly oriented and installed in accordance with manufacturer's shop drawings and installation instructions to ensure proper installation.

C. Column cover to be erected plumb and level.

3.02 Cleaning & Protection

A. Contractor to remove protective material supplied by column cover manufacturer.

B. Contractor to clean all visible surfaces after installation.

C. Contractor to protect column covers from damage by other trades

Pittcon Industries Division Pittcon Custom Corporation

6409 Rhode Island Avenue
Riverdale, Maryland 20737
(800) 637-7638 , (301) 927-1000
Fax: (301) 699-8690

3330 W. Flower Street
Phoenix, Arizona 85043
(800) 637-7638 , (602) 233-9100
Fax: (602) 233-9400

Fabricated with Pride



Riverdale, Maryland-U.S