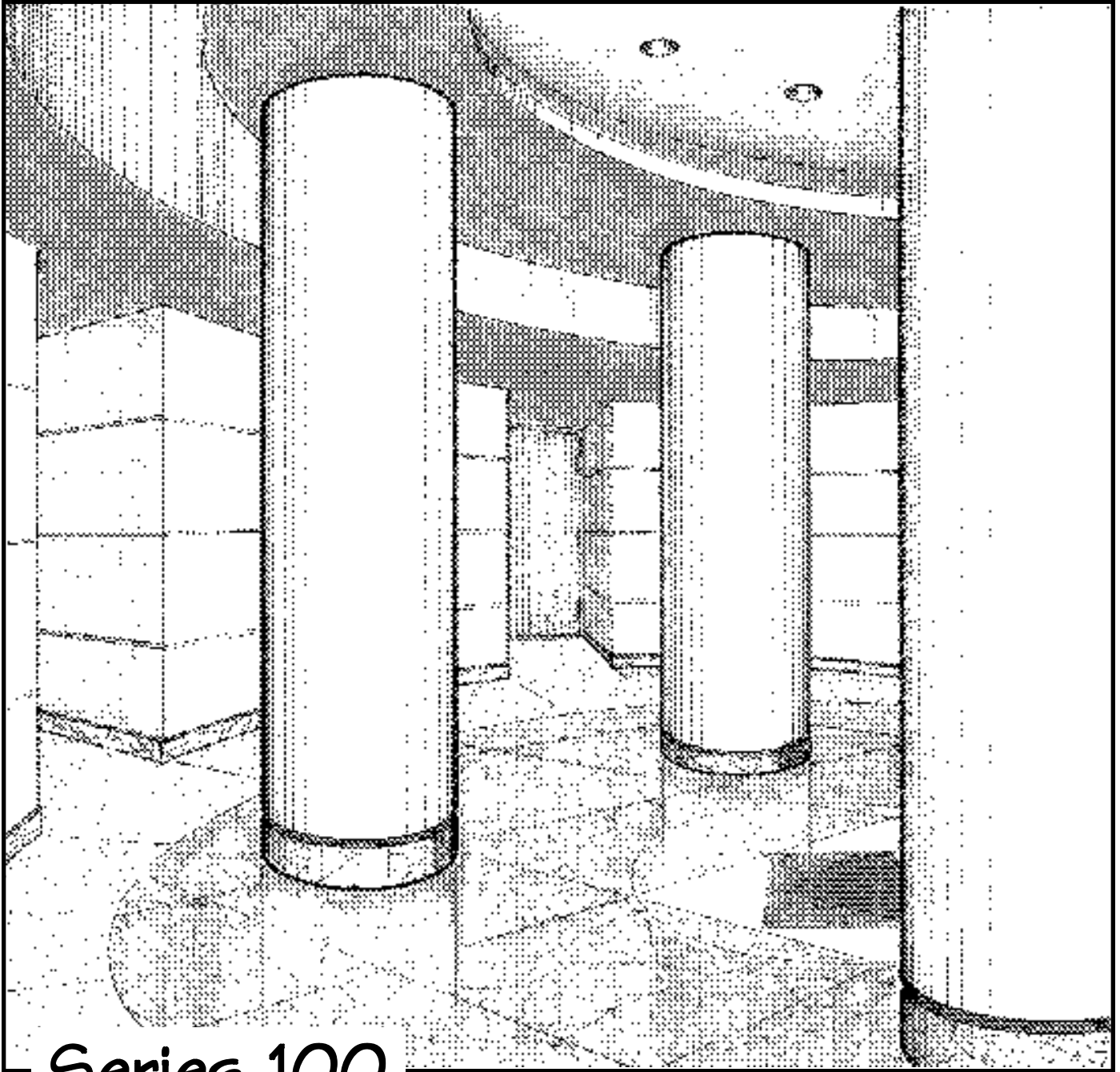


**Pittcon
Industries**

DIVISION OF PITTCO CUSTOM CORPORATION



Series 100

Column Covers

Series 100-Details

Series 100 Aluminum Column Cover Half
of .090" Thick Aluminum (Typical)

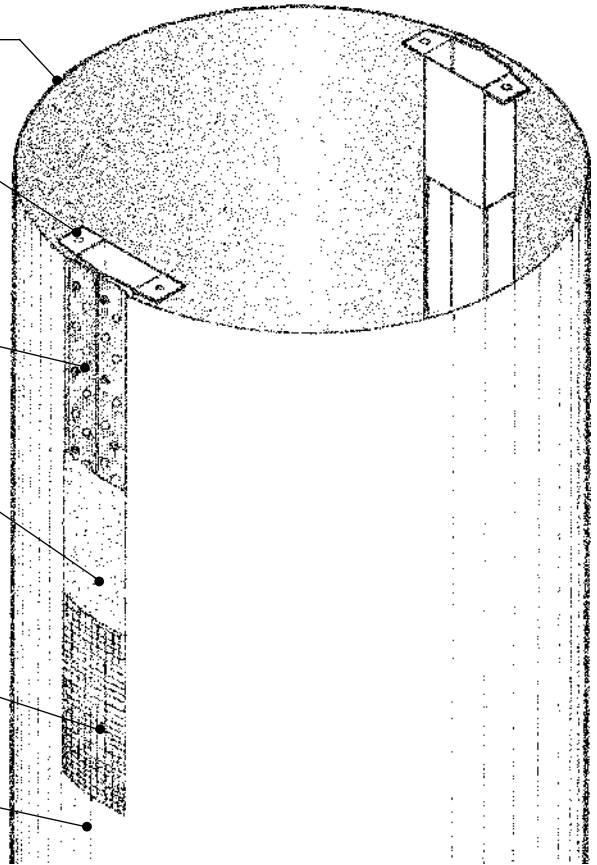
Mounting Brackets Fastened to Steel Post
and to Ceiling Structure Above

Indented Edge with 1/4" Screw Holes

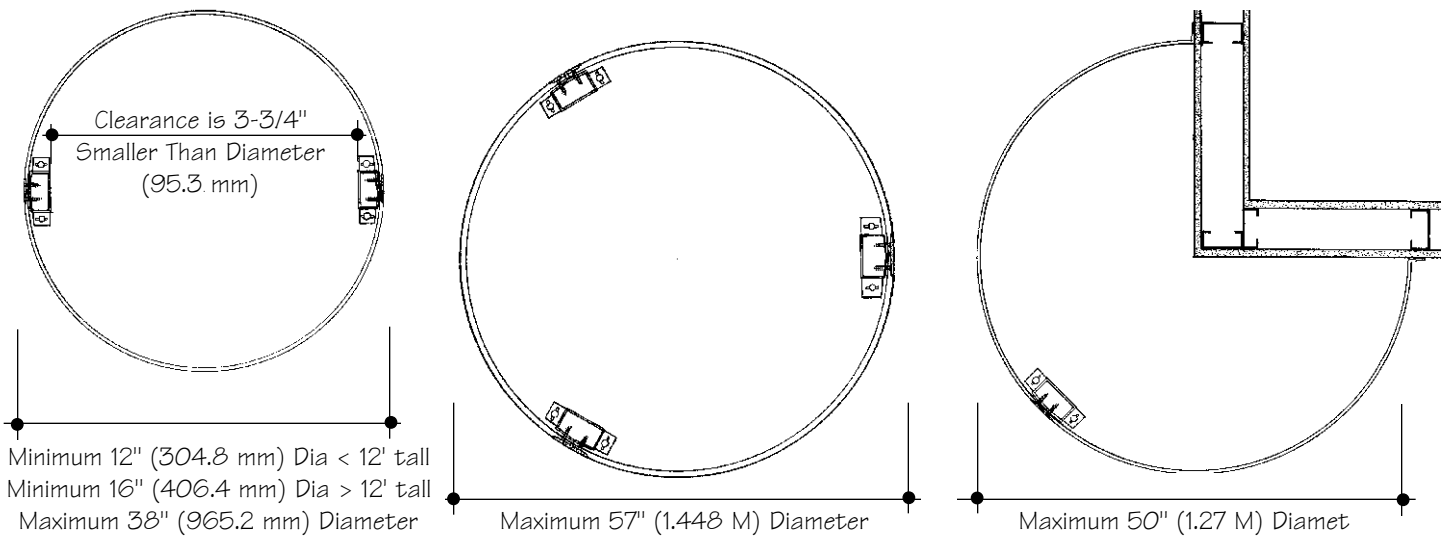
Joint Compound in Indented Area

Fiberglass or Paper Tape Embedded
into Joint Compound

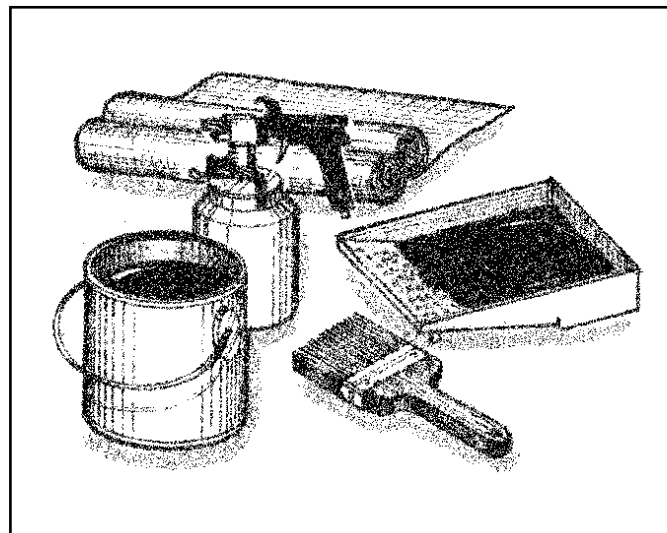
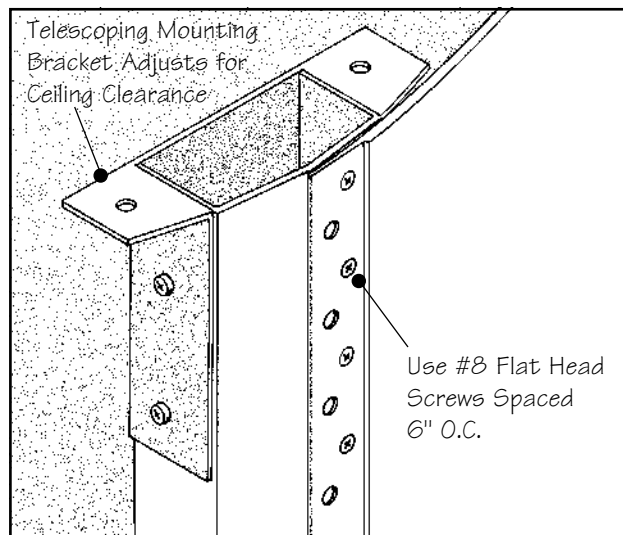
Feather Skim Coat Either Side of Joint
to Maintain Roundness, Sand Smooth
And Apply Finish in Field



The SERIES 100 column cover system was developed as an economical, yet durable alternative to our more expensive SERIES 1500 column cover. These low cost column covers are roll-formed from sheet aluminum and edged with SOFTFORMS® installation fins for easy installation. They are factory primed for field painting, with a primer compatible with latex or enamel paints. When finishing, standard drywall techniques produce a smooth, monolithic appearance. The SERIES 100 is available in diameters 12" (304.8 mm) and above, with single length heights up to 16' (4.88 M). (Note: minimum diameter of 16" (406.4 mm) for heights greater than 12'). Virtually unlimited height can be attained by stacking the column covers. These units are ideally suited for covering rough steel/concrete columns, as well as plumbing, electrical and HVAC components not requiring any service. Several unique options are also available, including top and base reveals. Our SERIES 100 column cover has proven itself superior to alternate column cover materials, while remaining competitive in price.



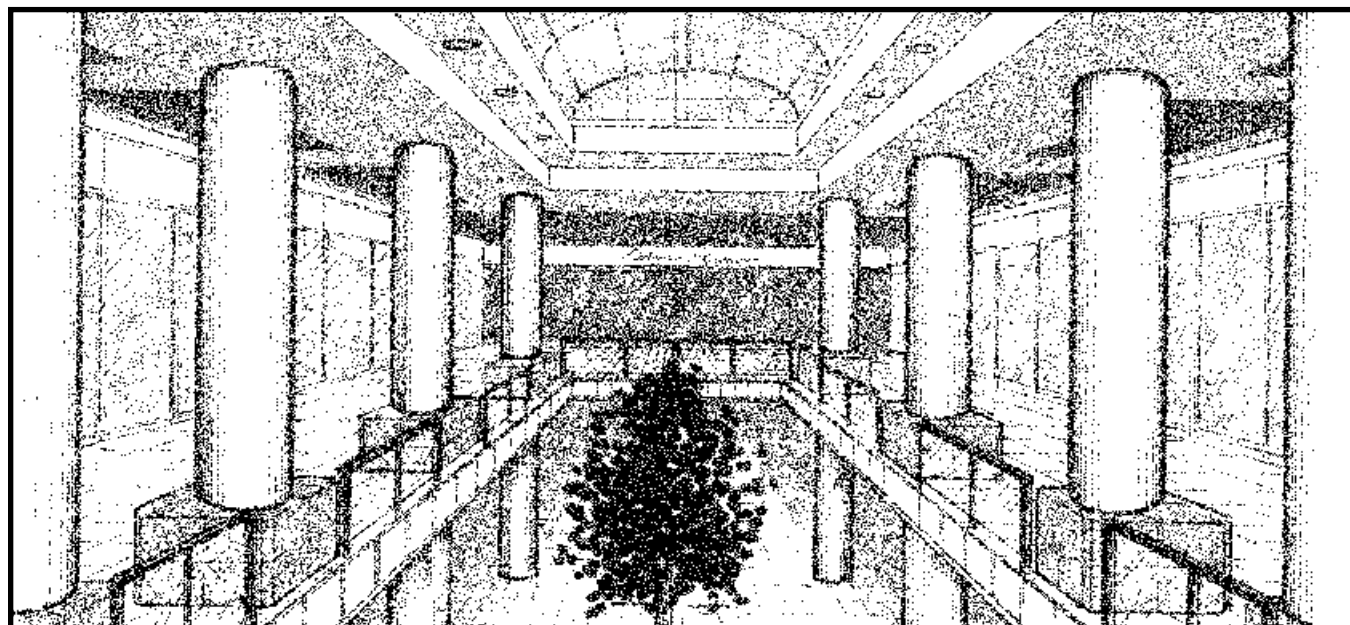
Series 100-Details



The SERIES 100 column cover is superior in strength, resistance to damage, and finished appearance to either GFRG or fiberglass covers. It will therefore maintain its original appearance and integrity far longer than these other materials. Another advantage of the SERIES 100 column cover over other types is that it comes complete with posts, mounting brackets, and layout templates, making for quicker, easier, more trouble free installation.

The column cover is easily finished in a wide range of products normally used in conjunction with commercial interior construction. These finishes include latex and enamel paints, vinyl and PVC wallcoverings, and specialty products such as Zolatone® textured paints. In order to ensure a clean surface prior to finishing, the factory applied wash primer should always be wiped down thoroughly with a mild solution of soap and water.

Zolatone® is a registered trademark of Paramount Paint & Lacquer Co.



Series 100-Details



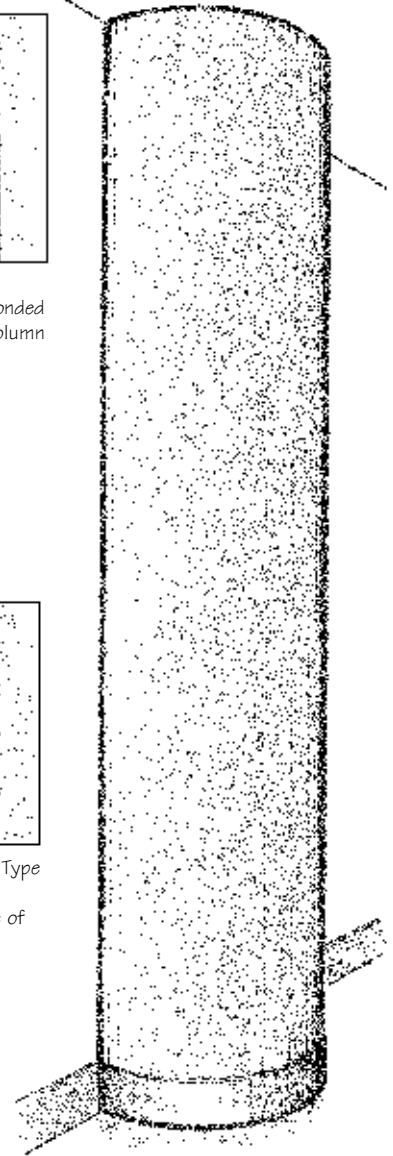
Optional Base Reveal is Available in Same Material as Column Cover or in Decorative Finishes Such as Stainless Steel.



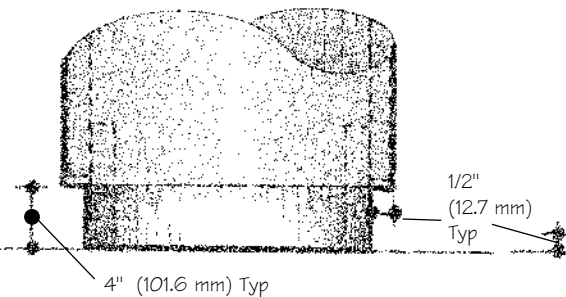
Top Reveal Type
STR-050-050 Bonded to Inside of Column Cover



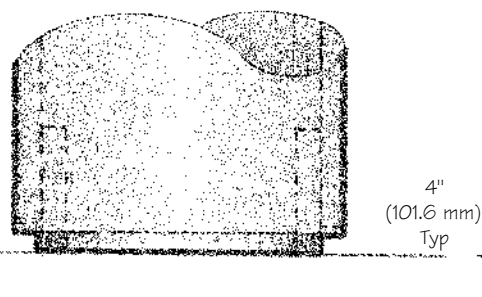
Mid-Level Reveal Type
SWR-050-050 Bonded to Inside of Column Cover



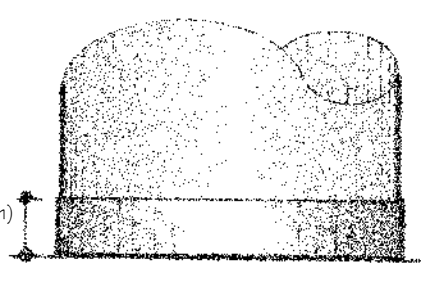
An Optional Raised Base 1/8" Stainless Steel or Other Decorative Finish can be applied.



Base Reveal Details
No Scale

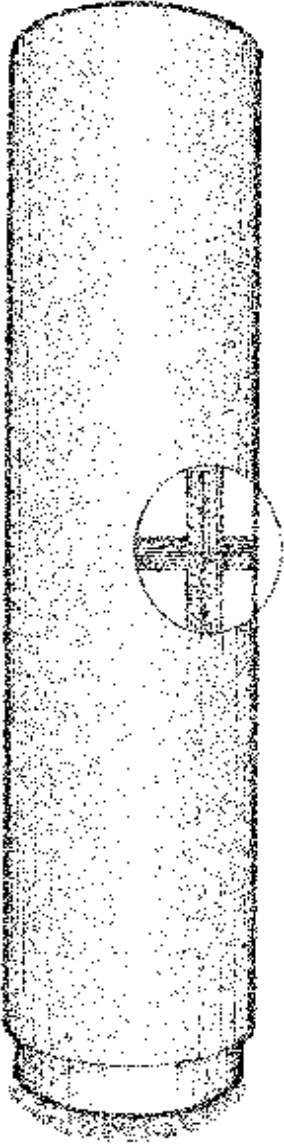


Base Reveal Details
No Scale

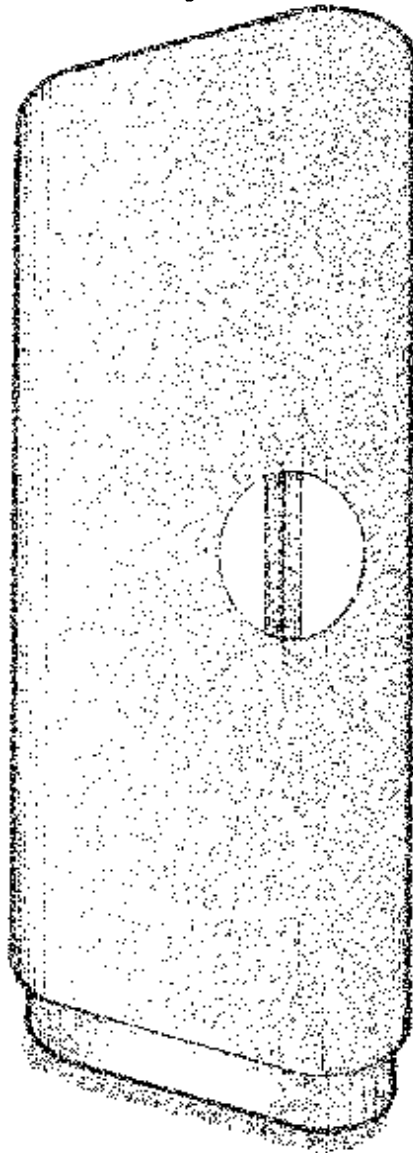


Base Reveal Deta
No Scale

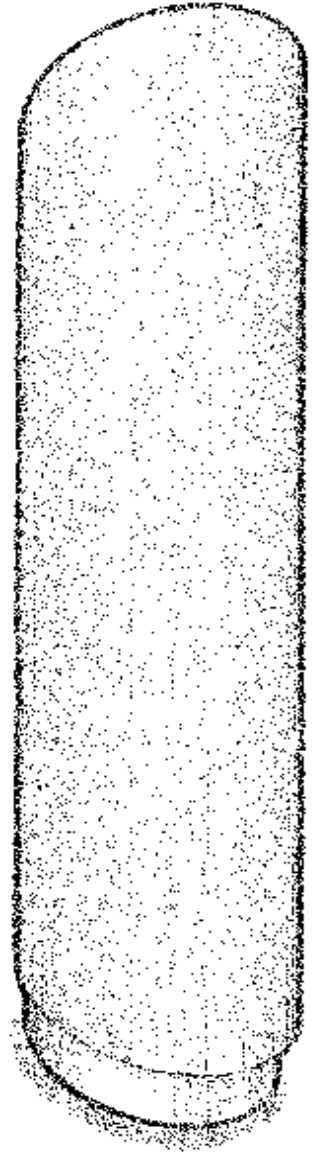
—Series 100-Options



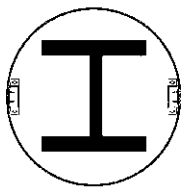
Column Covers can be Stacked with the Addition of Mid-Level Taping Joints. Screws Through the Prepared Edge Secure Column Covers to the Backing Plate Behind.



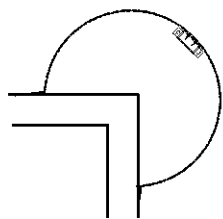
Race Track Oval Column Covers are Possible with the Addition of Flat Side Panels, and an Additional Set of Posts.



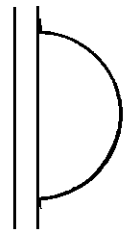
Our Computer Cont Roll-Forming Machine Us to Produce Elliptic Other Special Shapes



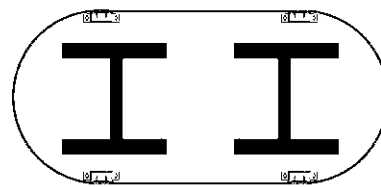
Round Column Cover



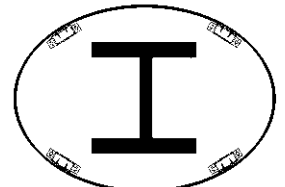
3/4 Column Cover



Half Column Cover

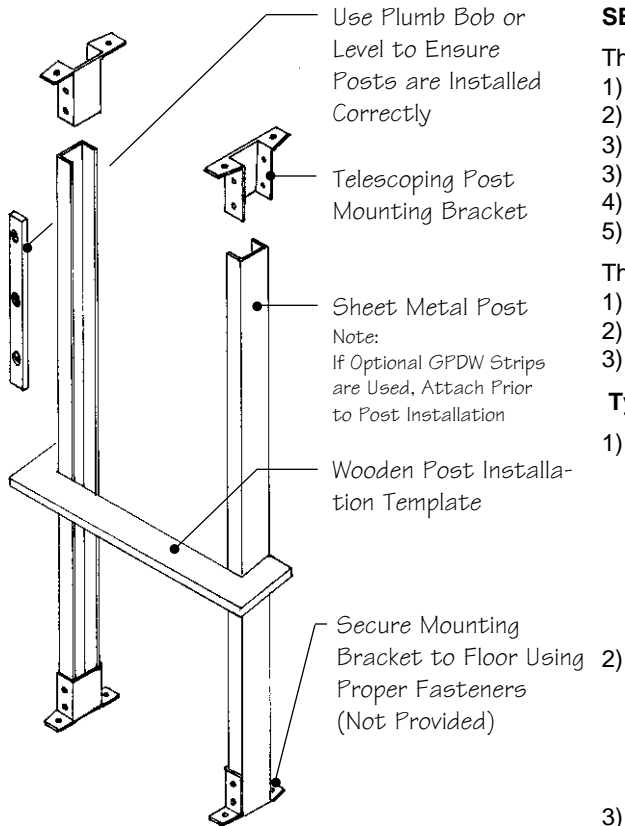


Race-Track Oval Column Cover



Elliptical Column Cov

Series 100 Installation



Installation Details

No Scale

SERIES 100 standard items

The SERIES 100 column cover system consists of the following parts:

- 1) Two custom rolled column cover half sections
- 2) Four post mounting brackets with mounting screws
- 3) Two sheet metal posts
- 3) Self tapping flat head screws for column skin attachment
- 4) Post installation template for aligning posts
- 5) One set of drawings / instructions

The following customer supplied items are also recommended:

- 1) Plumb bob & carpenters level
- 2) Ramset or lag type masonry fasteners for mounting brackets
- 3) Two 1/2" thick strips of GPDW 2" wide (For reveal columns only)

Typical Installation Procedure

- 1) Determine the position of column cover around structural column. If your column cover has reveals, adhere the 1/2" thick strips of GPDW to face of posts as shown on page 3. Install the first post, using a plumb bob or level to ensure plumbness. Position the opposite post using the supplied template. Make sure that posts are securely fastened to floor and ceiling structure using proper fasteners. Install any base reveals at this time.
- 2) Adjust first column cover half so that the installation fins are located in the exact center of posts. Secure to post with #8 x 1" flat head screws provided. Repeat this procedure for the other half, taking care that adjoining edges abut each other. Clean taping depression of any accumulated oil, dirt, etc., with alcohol.
- 3) Trowel on reinforced joint compound into depression and embed reinforced tape. When dry, apply a skin coat and then sand smooth. With a thorough wipedown, your column cover is now ready for finishing.

SAMPLE SPECIFICATION

Section 05600 Architectural Metal Column Covers

Part 1 - General

1.01 Description of work

A. Furnish all material necessary for a complete installation of the SERIES 100 column covers, exclusive of field applied material (i.e. joint compound, etc.). Column covers to be monolithic with field finished seamless joints, without exposed fasteners or supports.

1.02 Submittals

A. Submit product literature, specifications, information, and installation instructions.
B. Submit complete shop drawings detailing quantities, sizes, configurations, and column attachment methods.

1.03 Quality Assurance

A. Manufacturer to have a minimum of ten years experience in the manufacturing of column covers.
B. Manufacturer to inspect all aspects of the product to ensure that specifications have been met, and that they comply with approved shop drawings.
C. Manufacturer shall issue a one year limited warranty ensuring product against defects in workmanship and materials.

Part 2 - Products

2.01 Acceptable Manufacturers:

Pittcon Industries
6409 Rhode Island Ave.
Riverdale, MD 20737

Pittcon Industries
3330 W. Flower Street
Phoenix, Arizona 85017

2.02 Materials

A. Column covers shall be roll-formed from .090" aluminum with factory primed finish and fabricated in two vertically divided sections attached with screws and with field finished joint.
B. All fasteners are to be concealed.
C. All support structures to be supplied by column cover manufacturer.
D. Column cover sections shall be supplied free of scratches and surface blemishes.

2.03 Fabrication

A. Column covers shall be roll-formed to specific dimensions and tolerances, and accurately formed to radii shown on drawings.
B. Column covers shall be fabricated in two vertically divided sections attached with a field taping joint.
C. Column covers shall be fabricated in single length heights of 16' where required, with the addition of stacking joints to allow for heights above 16'.

Part 3 - Execution

3.01 Inspection & Installation

A. Contractor to inspect column covers upon receipt to ensure that no damage has occurred during shipment.
B. Column cover to be correctly oriented and installed in accordance with manufacturer's shop drawings and installation instructions to ensure proper installation.
C. Column cover to be erected plumb and level.

3.02 Cleaning & Protection

A. Contractor to clean all visible surfaces after installation.
B. Contractor to protect column covers from damage by other trades.

Pittcon Industries Division Pittcon Custom Corporation

6409 Rhode Island Avenue
Riverdale, Maryland 20737
(800) 637-7638 , (301) 927-1000
Fax: (301) 699-8690

3330 W. Flower Street
Phoenix, Arizona 85043
(800) 637-7638 , (602) 233-9100
Fax: (602) 233-9400

Fabricated with Pride



Riverdale, Maryland-U.S