

COLUMN COLLARS

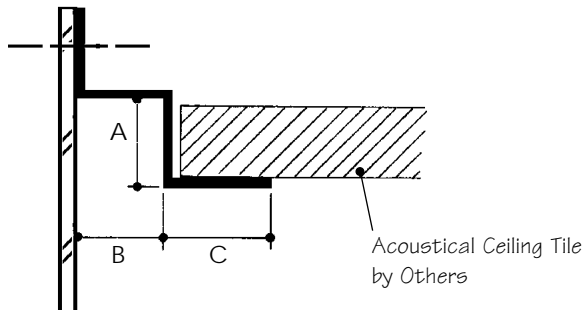
Pre-fitted and Factory Finished

SAMPLE SPECIFICATION

Specify as: PITCON COLUMN COLLAR
Model # _____

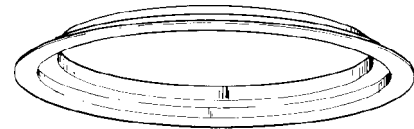
Column Collars are fabricated in two oversize halves allow for field adjustment during installation. For drywall ceiling conditions, the formed profiles will be provided with a primer compatible with joint compound, latex and enamel paints, etc. Column Collars for acoustical ceiling conditions are supplied with Pittcon standard white finish to match ceiling grid color. Custom colors are available.

For Acoustical Ceilings-With Reveal

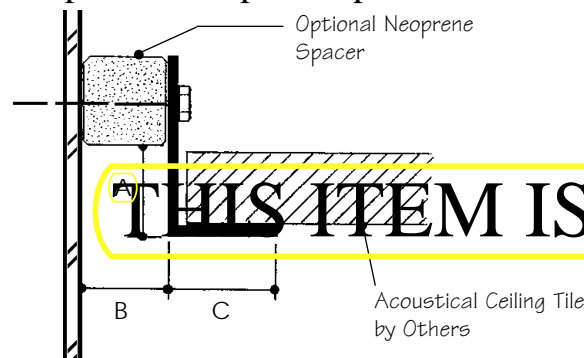


ALL OF THE COLLARS BELOW COME IN STANDARD FINISHES

CAT. NO.	A	B	C	DIAMETERS	SUPPLIED IN
PACR-7575	3/4"	3/4"	15/16"	18" & ABOVE	HALVES



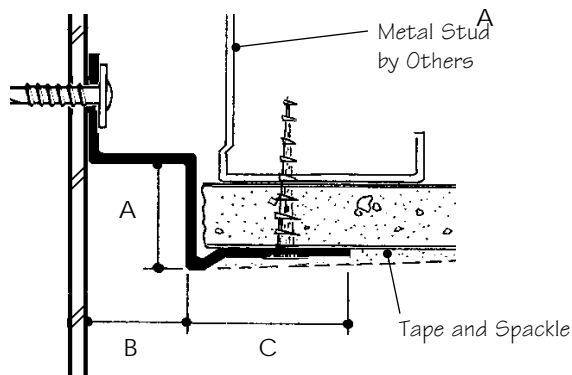
For Acoustical Ceilings-With Reveal And Optional Neoprene Spacer



CAT. NO.	A	B	C	DIAMETERS	SUPPLIED IN
PICR-7575	3/4"	3/4"	15/16"	12" & ABOVE	HALVES
PICR-5050	1/2"	1/2"	15/16"	12" & ABOVE	HALVES

THIS ITEM IS DISCONTINUED

For Drywall Ceilings-With Reveal



CAT. NO.	A	B	C	DIAMETERS	SUPPLIED IN
PDCR-7575	3/4"	3/4"	1-3/8"	18" & ABOVE	HALVES



All details, methods and specifications are the exclusive property of Pittcon Industries, Division of Pittcon Custom Corporation. Pittcon reserves the right to change any specifications or details without prior notification. Other profiles are available as special order items. For custom shapes, sizes, or for special finishes, please contact the factory or your nearest Pittcon sales representative.

COLUMN COLLARS

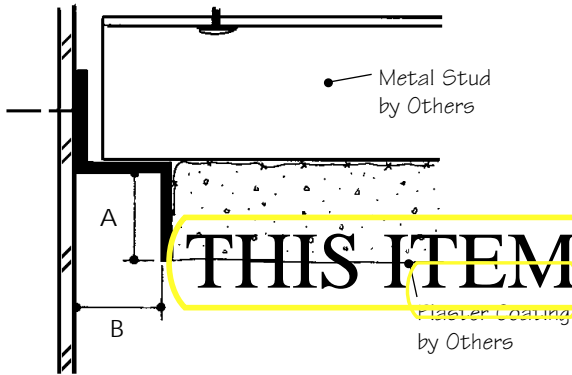
Pre-fitted and Factory Finished

SAMPLE SPECIFICATION

Specify as: PITTCON COLUMN COLLAR
Model # _____

Column Collars are fabricated in two oversize halves to allow for field adjustment during installation. For drywall ceiling conditions, the formed profiles will be provided with a primer compatible with joint compound, latex and enamel paints, etc. Column Collars for acoustical ceiling conditions are supplied with Pittcon standard white finish to match ceiling grid color. Custom colors are available.

For Plaster Ceilings-With Reveal

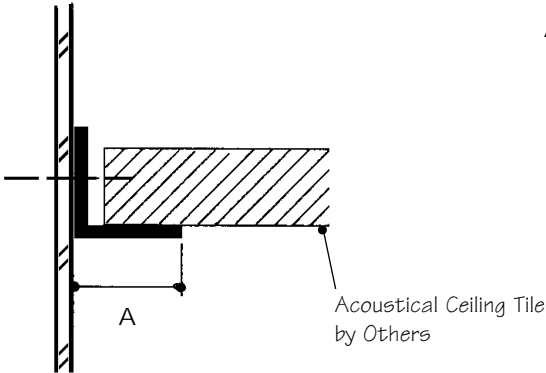


ALL OF THE COLLARS BELOW COME IN STANDARD FINISHES

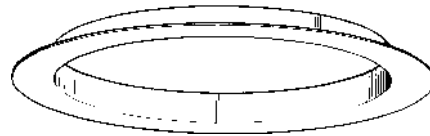
CAT. NO.	A	B	DIAMETERS	SUPPLIED IN
PPCR-7575	3/4"	3/4"	18" & ABOVE	HALVES

THIS ITEM IS DISCONTINUED

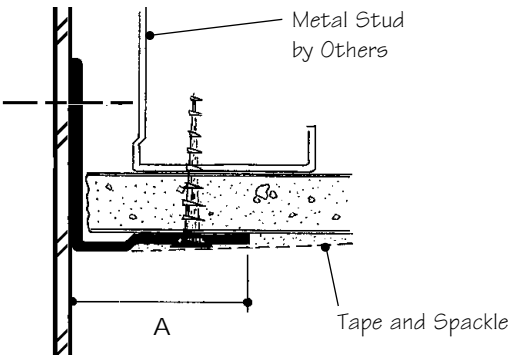
For Acoustical Ceilings-No Reveal



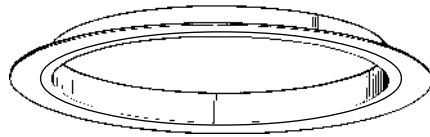
CAT. NO.	A	DIAMETERS	SUPPLIED IN
PAC-1516	15/16"	12" & ABOVE	HALVES



For Drywall Ceilings-No Reveal



CAT. NO.	A	DIAMETERS	SUPPLIED IN
PDC-1516	1-3/8"	12" & ABOVE	HALVES



Pittcon Industries Division Pittcon Custom Corporation
 6409 Rhode Island Avenue
 Riverdale, Maryland 20737
 (800) 637-7638 , (301) 927-1000
 Fax: (301) 699-8690
 © 2001 Pittcon Industries

3330 W. Flower Street
 Phoenix, Arizona 85043
 (800) 637-7638 , (602) 233-9100
 Fax: (602) 233-9400

Fabricated with Pride



Riverdale, Maryland-U.S