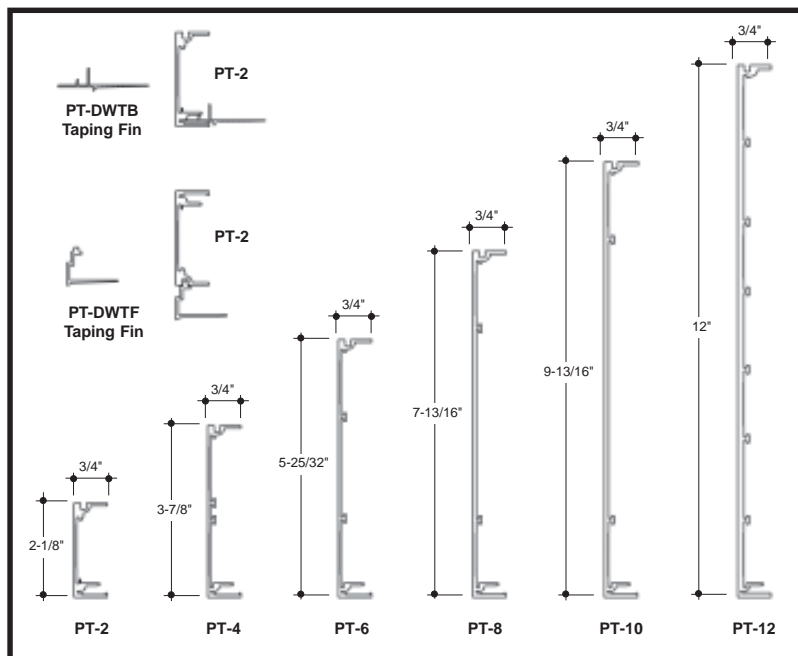
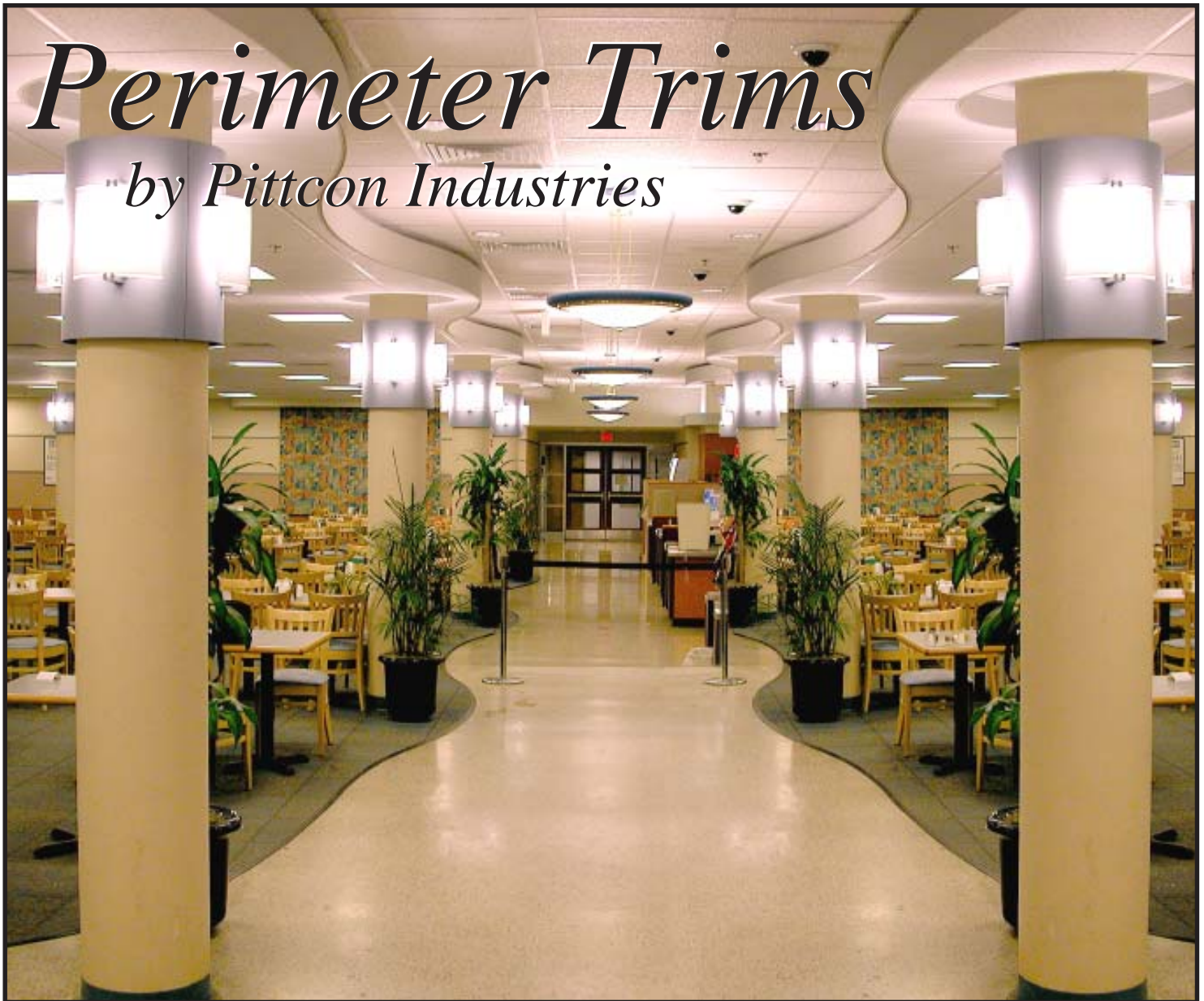


Perimeter Trims

by Pittcon Industries



Sizes: 2" to 12" Tall

Straight Lengths

Factory Curving

Inside & Outside Corners

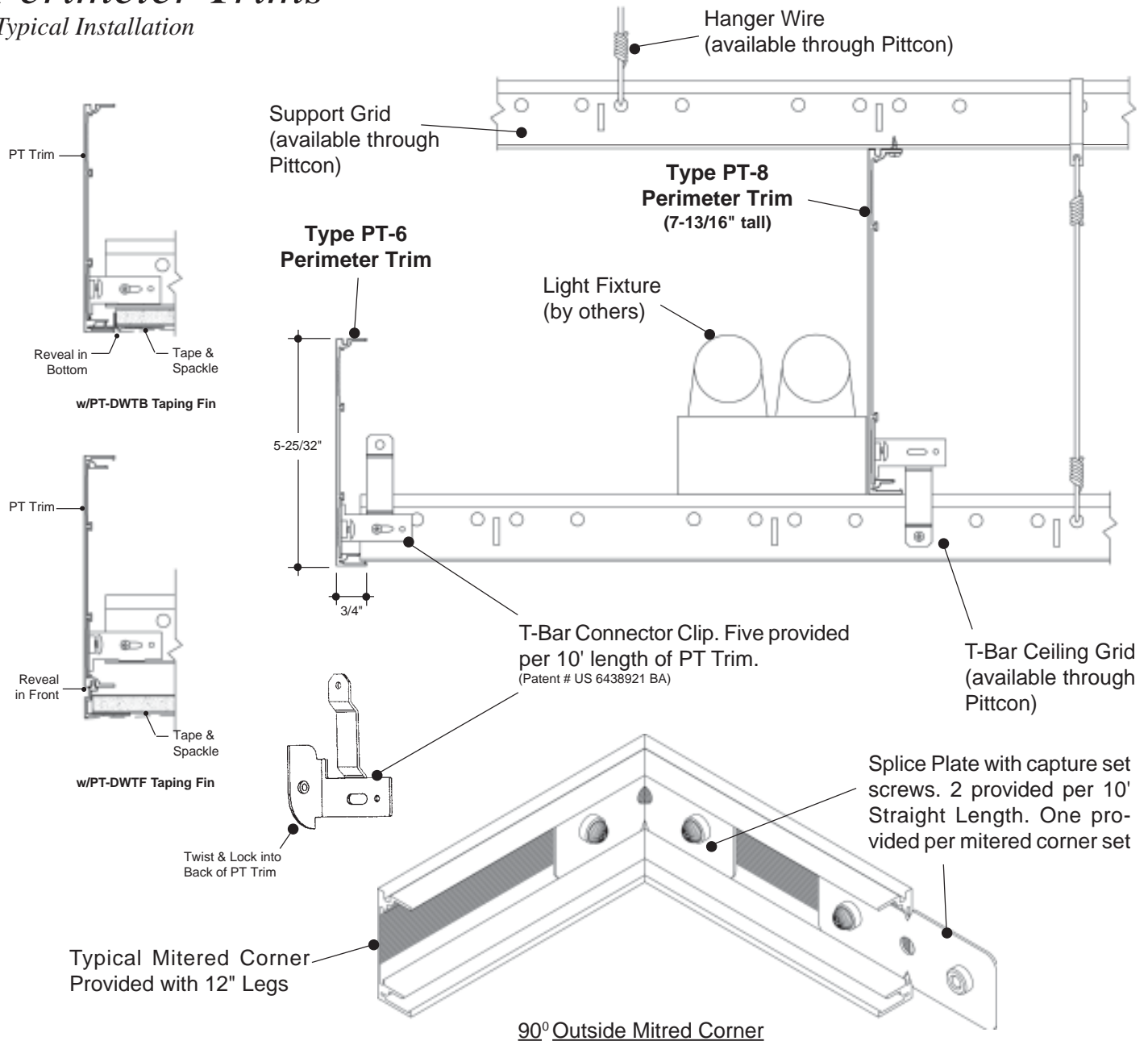
Drywall Taping Flanges

Ceiling Grids

Acoustical Tiles

Perimeter Trims

Typical Installation



Pittcon Industries offers a line of Perimeter Trims uniquely designed to provide the architect or interior designer with a choice of a smooth, unbroken surface at the 3/4" wide bottom flange, or by simply flipping the perimeter trim over, a decorative reveal. The same utility is carried over in our selection of drywall taping fins, allowing for a decorative reveal on the face of the perimeter trim, or along the bottom edge (see above). Our selection of heights from 2" to 12" tall insure a full range from which to choose, allowing the creation of innovative and challenging designs. Please consult the factory or your local manufacturer's representative for details.

PT Model	Height at Face	Minimum Radii
PT-2	2-1/8" (53.9 mm)	12" Single Radius
PT-4	3-7/8" (98.4 mm)	12" Single Radius
PT-6	5-25/32" (146.8 mm)	12" Single Radius
PT-8	7-13/16" (198.4 mm)	12" Single Radius
PT-10	9-13/16" (249.2 mm)	24" Single Radius
PT-12	12" (304.8 mm)	24" Single Radius

PT TRIMS are available in the following sizes. Typical lengths are 10', with custom lengths available. Consult factory for details. All PT TRIMS can be factory curved in single radii or serpentine configurations within one 10' length. Minimum radii are shown. Consult factory for serpentine configurations. Typical yield from a stock 10' length is ±8'6", so plan your requirements accordingly. In addition, all PT TRIMS are available with inside and outside mitred corners, provided loose for field assembly, or with factory welded miters.

PT-KE

KNIFE EDGE PERIMETER TRIM

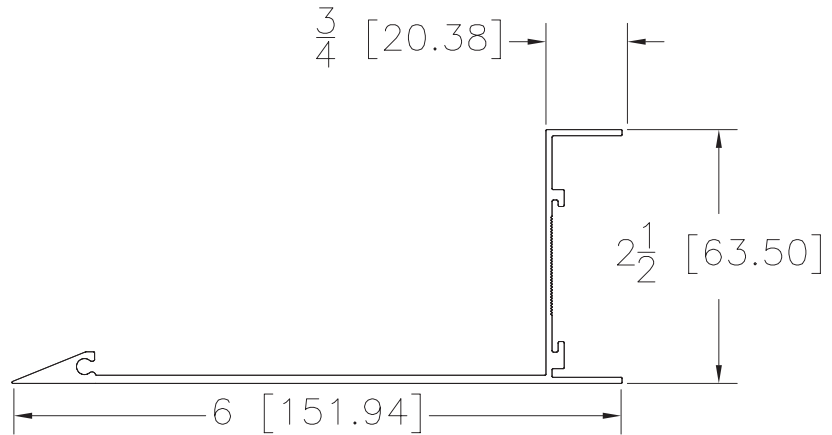
SAMPLE SPECIFICATION

specify as: SOFTFORMS® Model # PT-KE

Pittcon SOFTFORMS®, LLC

6409 Rhode Island Avenue
Riverdale, MD 20737
(800) 637-7638
(301) 927-1000
Fax: (301) 699-8690

3330 W. Flower Street
Phoenix, AZ 85017
(800) 637-7638
(602) 233-9100
Fax: (602) 233-9400



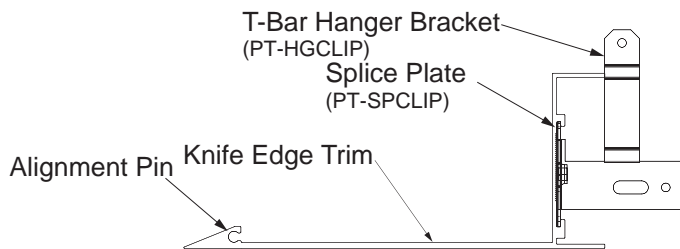
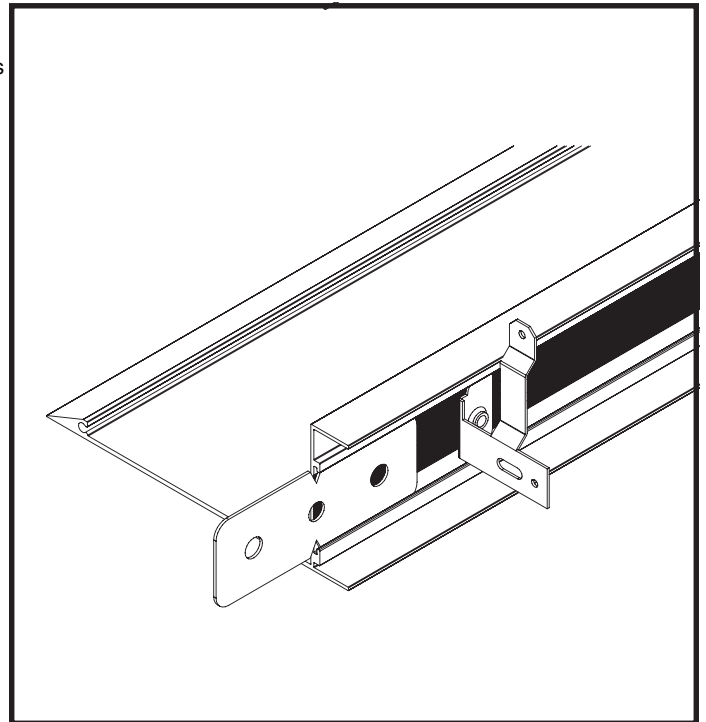
MATERIAL: Aluminum alloy.....6063 T5 or equal
Finish.....Ceiling White
Custom Colors available upon Request

SECTION PT-KE KNIFE EDGE PERIMETER TRIM
NO SCALE

EXAMPLE DETAIL

For use with conventional Acoustical Ceiling Grid.

The PT-KE will permit construction fine edged Perimeter Trim. This provides a clean look to any wall edge or "Cloud" application.



PT-KE
NO SCALE

All details, methods and specifications are the exclusive property of Pittcon Softforms®, LLC. Pittcon reserves the right to change any specifications or details without prior notification. All Softforms® profiles are available in standard 10' lengths ±1/8" (2.048 M). Other lengths are available as special order items. For custom shapes, sizes, or for special finishes, please contact the factory or your nearest Pittcon sales representative.

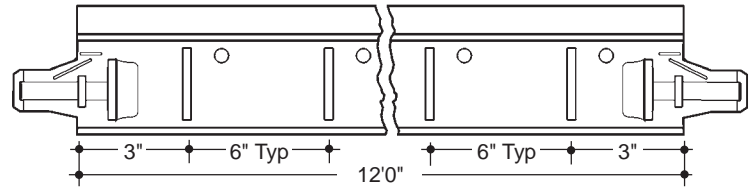
© 2004 Pittcon SOFTFORMS®, LLC

Softforms®

PREFORMED ARCHITECTURAL PROFILES
FOR DRYWALL CONSTRUCTION

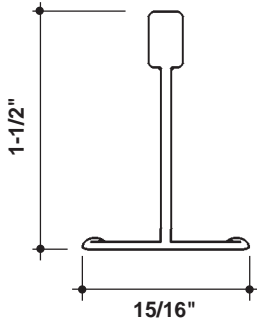
'Fast-Lock'

Double Web Ceiling Grid

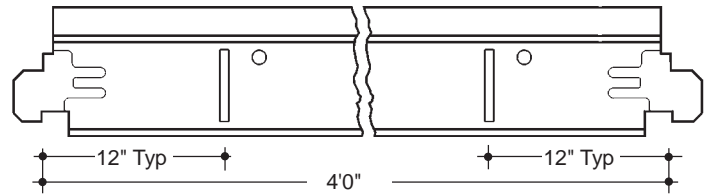


Main Beam D512

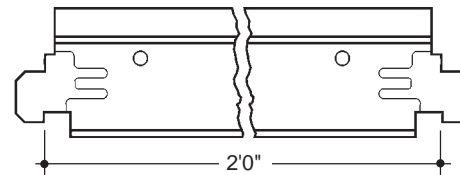
500 Series



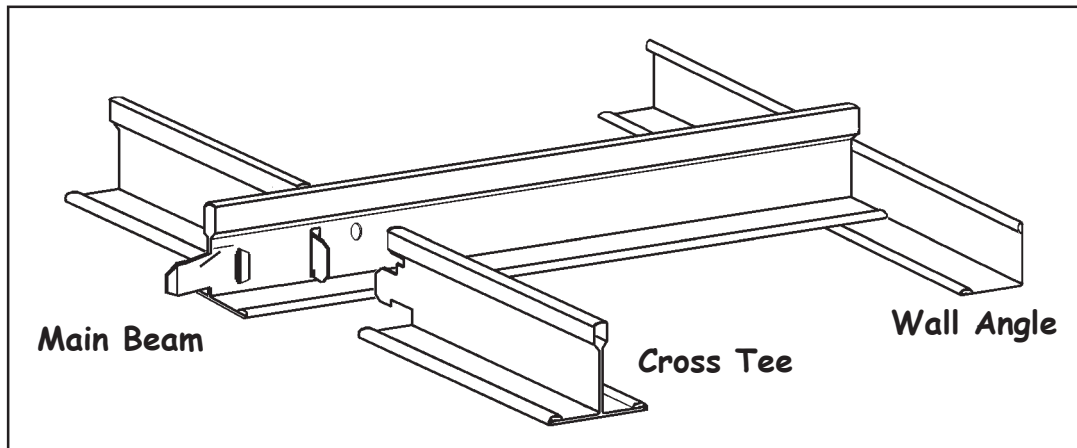
Profile



Cross Tee D504



Cross Tee D502



Main Beam

Cross Tee

Wall Angle

Series 500 Technical Load Test Data

Catalog Number	Flange Width (In.)	Length (Ft.)	Web Height (In.)	Simple Span L/360 Max. (lbs/LF)	
Main Beam				4'	6'
D512	15/16"	12'	1-1/2"	Intermediate Duty	4#/LF
Cross Tee's				2'	4'
D504	15/16"	4'	1-1/2"	-----	11#/LF
D404	15/16"	4'	1-1/8"	-----	5.6#/LF
D502	15/16"	2'	1-1/2"	47#/LF	-----
D402	15/16"	2'	1-1/8"	32#/LF	-----

Conforms to ASTM C-635 • NYC MEA #289-92M

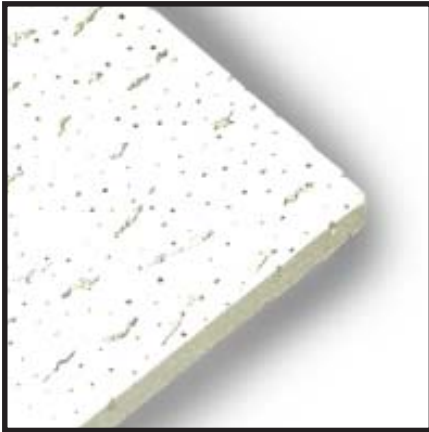
Standard Finishes:

Pittcon's Ceiling Grid Systems are Available in Standard White and Black Finishes, a Dark Wood Grain and in Mirror-Finish, Plated Chrome and Brass

Ceiling Tiles and Accessories:

Consult the back page for our selection of Acoustical Ceiling Tiles and Accessories

Ceiling Tiles and Accessories



Directional Fissured

Wet-Felted Acoustical Ceiling Panels

Item Number	Panel Size	Edge Detail
FH-197	24" x 48" x 5/8"	Trim Edge
FH-194	24" x 48" x 5/8"	Reveal Edge
FH-157	24" x 24" x 5/8"	Trim Edge
FH-154	24" x 24" x 5/8"	Reveal Edge



Random Fissured

Wet-Felted Acoustical Ceiling Panels

Item Number	Panel Size	Edge Detail
BET-197	24" x 48" x 5/8"	Trim Edge
BET-194	24" x 48" x 5/8"	Reveal Edge
BET-157	24" x 24" x 5/8"	Trim Edge
BET-154	24" x 24" x 5/8"	Reveal Edge

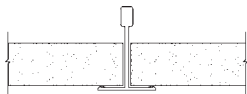


Non-Directional Perforated

Wet-Felted Acoustical Ceiling Panels

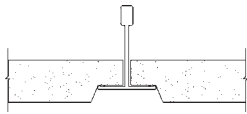
Item Number	Panel Size	Edge Detail
NDP-197	24" x 48" x 5/8"	Trim Edge
NDP-157	24" x 24" x 5/8"	Trim Edge

Edge Detail Options



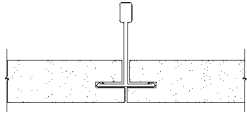
Trim Edge

with 500 Series Grid (15/16")



Reveal Edge

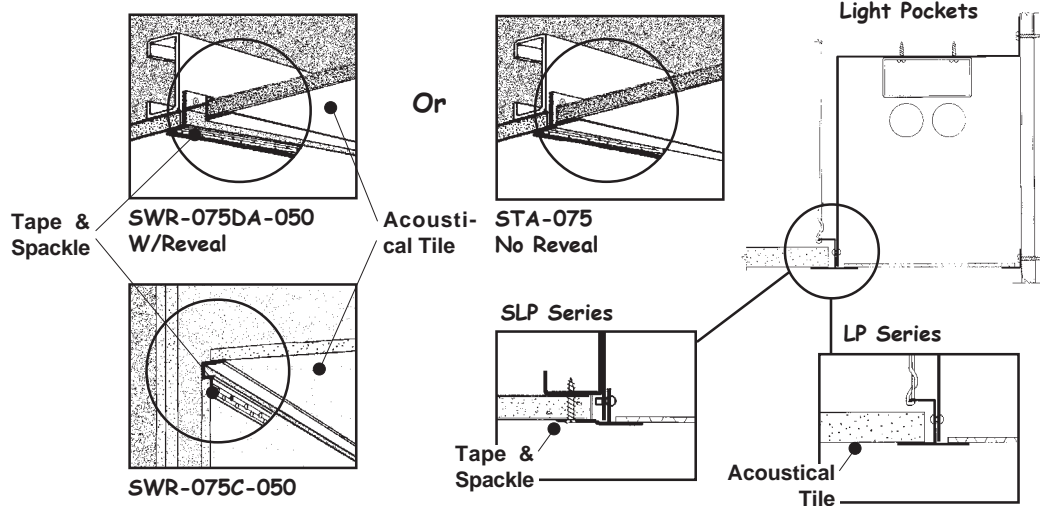
with 500 Series Grid (15/16")



Bevel Edge, Kerfed

with 500 Series Grid (15/16")

Ceiling Accessories: Available in 10' Lengths



ACOUSTICAL CEILINGS AND SUSPENSION SYSTEMS 15 YEAR LIMITED WARRANTY

PITTCON INDUSTRIES warrants for 15 years from the date of installation of Pittcon's Standard Acoustical Ceiling Panels, when installed together with Pittcon's Ceiling Suspension Systems, in accordance with the manufacturer's recommendations, against visible sag, warping, shrinking, buckling and delamination as a direct result of manufacturing defect and that the suspension system shall not incur 50% red rust as defined by ASTM B 117 test procedures during the 15 years of this limited warranty. This limited warranty is subject to further conditions outlined in the actual written warranty.

Pittcon Industries; We're Shaping The Future, One Project at a Time.

www.pittconindustries.com

Pittcon Industries

6409 Rhode Island Ave.
Riverdale, MD 20737
Phone: (301) 927-1000
Fax: (800) 897-3129

3330 West Flower St.
Phoenix, AZ 85017
Phone: (602) 233-9100
Fax: (602) 233-9400

2090 Del Rio Way, Unit B
Ontario, CA 91761
Phone: (909) 773-0001
Fax: (909) 773-0091

©2005 Pittcon Ind.